

What to do in case of problems with your central heating or water heating?



What could be the cause?

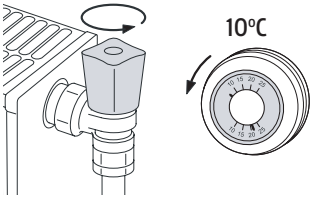

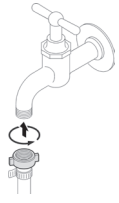
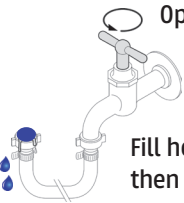
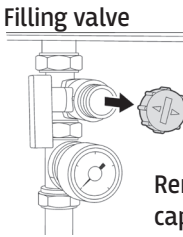
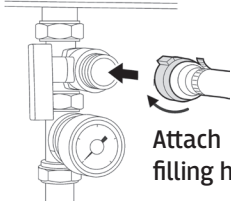
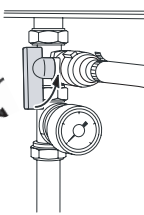
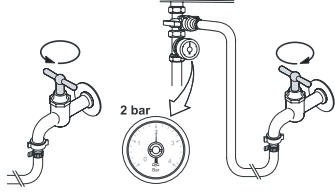
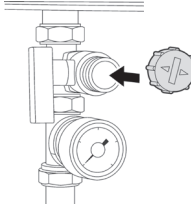
- A dripping tap
- Insufficient water from the shower head
- Insufficient pressure (below 1.5 bar)
- Air in the central heating system

Possible solution:

- Replace rubber in tap (by specialist)
- Descal shower head
- Fill central heating system, p.t.o.
- Vent central heating system, p.t.o.

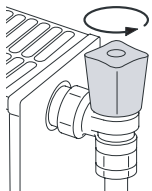
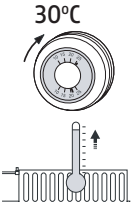
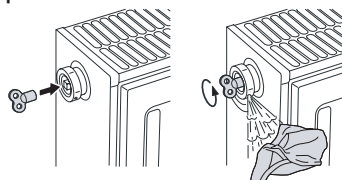
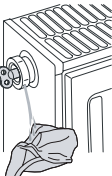

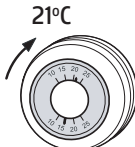
Filling the central heating system

Is the water pressure below 1.5 bar? If so, you must add water.

1.  **Open all radiators**
2.  **Filling hose**
3.  **Attach filling hose**
4.  **Fill hose with water, then close**
5.  **Remove cap**
6.  **Attach filling hose**
7.  **Open filling valve**
8.  **a. Open tap b. Wait for sufficient pressure (2 bar). c. Close tap**
9.  **Close filling valve, remove filling hose and place cap**

Venting the central heating system

If there is air in the central heating system, this is often accompanied by gurgling noises in the pipes and/or radiator. As a result, only part of the radiator will get warm. In that case you will have to vent the central heating system.

1.  **Open all radiators**
2.  **Heat for 5 min.**
3.  **Open vent**
4.  **Water: close**
5.  **1.5...2 bar ✓
< 1.5 bar x : fill**
6.  **Set required temperature**